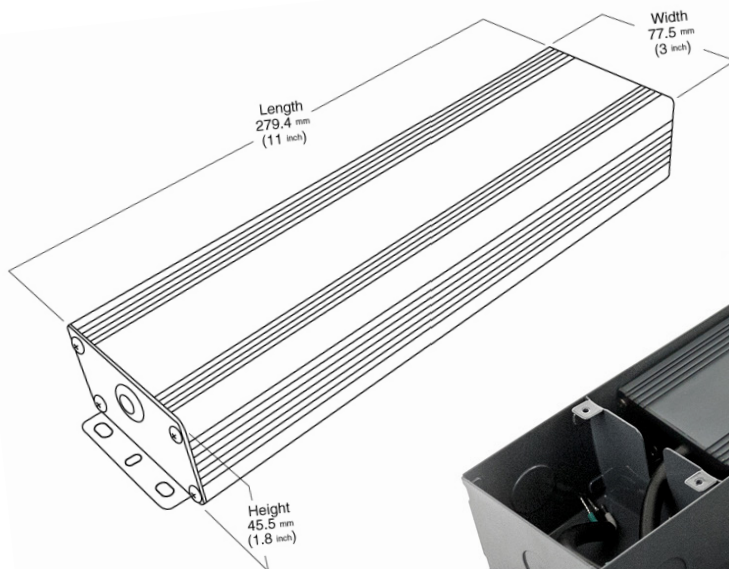
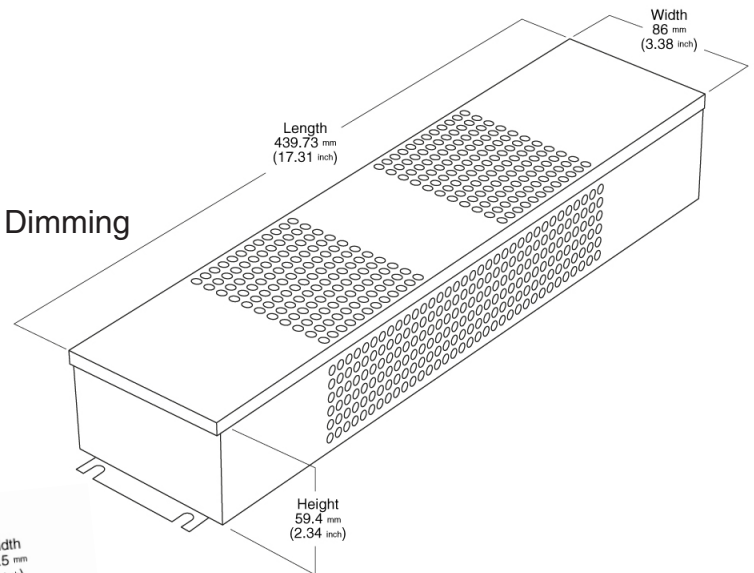


Veroboard 24V 288W(3*96W) 0-10V/ Triac Dimmable LED Driver (Multi Dimming +Junction Box) VBD-024-288VTD52J2V2

VEROBOARD®

SKU: 666561419288
 Model: VBD -024-288VTD52J2V2
 Input Voltage: 100-277 V AC
 Output Voltage: 24 V DC
 Output Power: 288 W (3*96 W)
 Output Current: 4 A (3*4 A)
 Dimmable: Yes (1-10V/0/ Triac dimming) 5 in 1 Dimming
 Class Certification: Class 2/ Class P/ Type HL



Pl. Use Wire Rated at Least 90°C for Connection

VEROBOARD®

Triac/0/1-10V (5 in 1) Dimming Constant Voltage LED Driver

PN: VBD-024-288VTD52J2V2

INPUT : 100-277Vac 3.4A 50/60Hz λ : 0.95

OUTPUT : 24 VDC ≐ 4A(3*4A) / 288W(3*96W)

Class 2 Class P Type HL

Conforms UL 1310 and UL8750

Conforms CAN/CSA-C22.2 NO.250.13

Complies with FCC 47 CFR Part 15, Subpart B

This device complies with FCC Part 15. Operation is subject to the following two conditions:
 (1) may not cause harmful interference.
 (2) must accept any interference received, including interference that may cause undesired operation.

SUITABLE FOR DRY, DAMP LOCATIONS

VEROBOARD CANADA, USA

info@veroboard.com | www.veroboard.com



Made in China