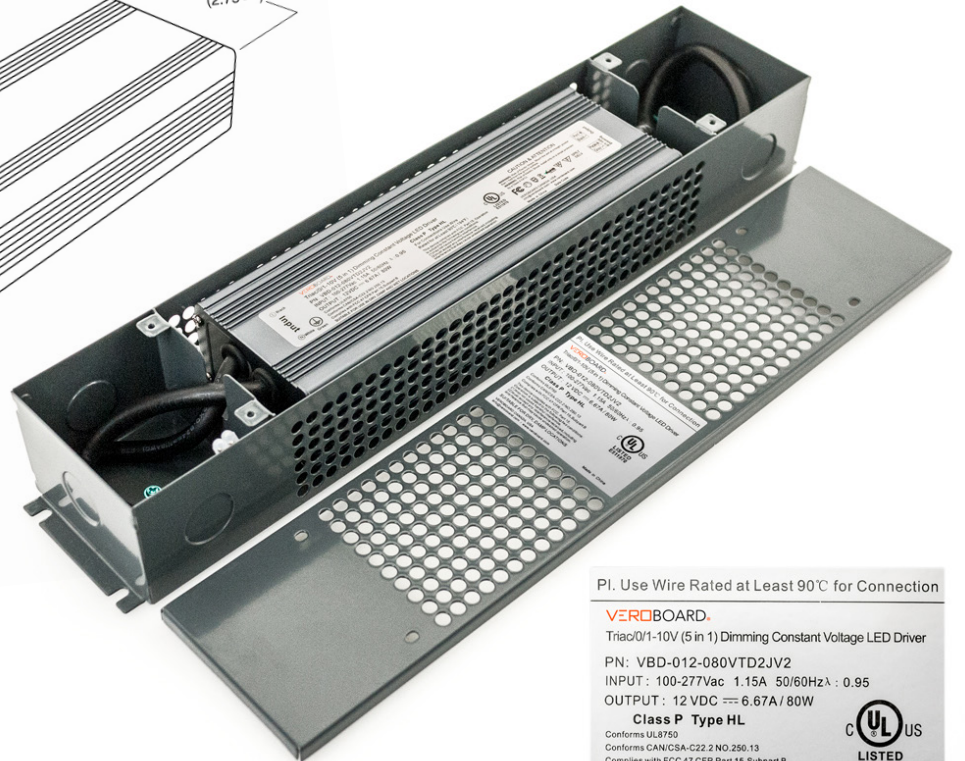
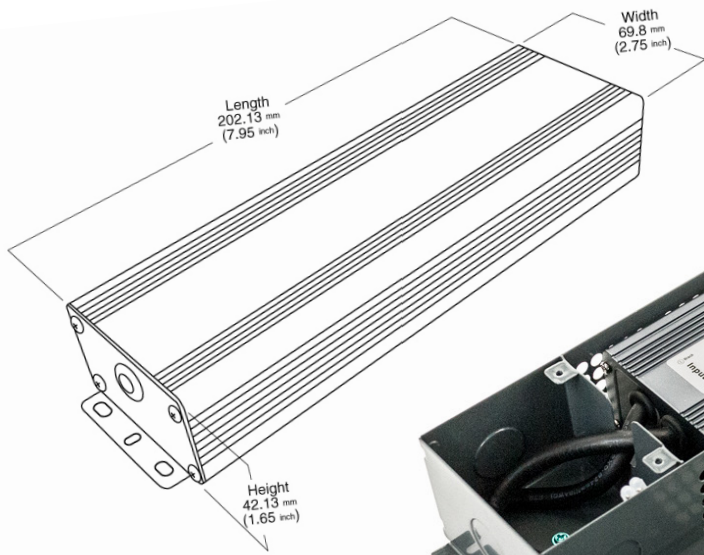
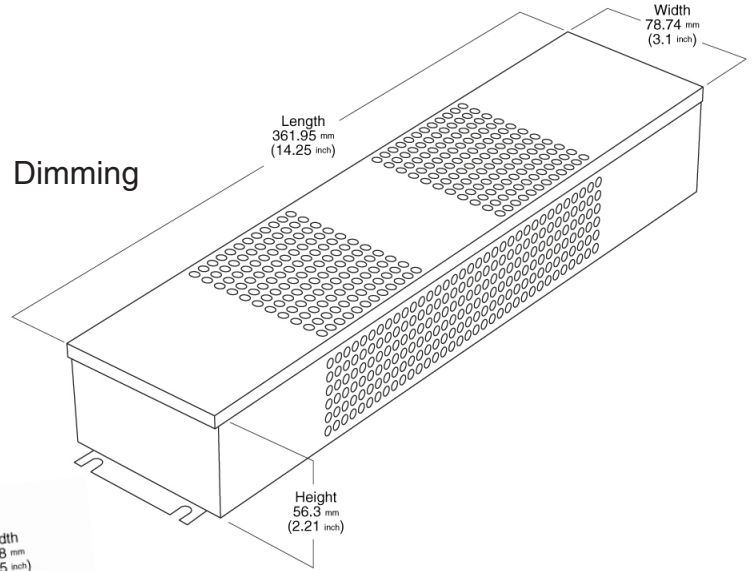


**Veroboard 12V 80W 0-10V/  
Triac Dimmable LED Driver  
(Multi Dimming+Junction Box)  
VBD-012-080VTD2JV2**

SKU: 666561419233  
 Model: VBD-012-080VTD2JV2  
 Input Voltage: 100 – 277V AC  
 Output Voltage: 12V DC  
 Wattage: 80W  
 Output Current: 6.67 A  
 Dimmable: Yes (1-10V/0/ Triac dimming) 5 in 1 Dimming  
 Class Certification: Class P/ Type HL



Pl. Use Wire Rated at Least 90°C for Connection

**VEROBOARD**  
 Triac/0/1-10V (5 in 1) Dimming Constant Voltage LED Driver

PN: VBD-012-080VTD2JV2  
 INPUT : 100-277Vac 1.15A 50/60Hz $\lambda$  : 0.95  
 OUTPUT : 12 VDC  $\equiv$  6.67A / 80W

**Class P Type HL**

Conforms UL8750  
 Conforms CAN/CSA-C22.2 NO.250.13  
 Complies with FCC 47 CFR Part 15, Subpart B

This device complies with FCC Part 15.  
 Operation is subject to the following two conditions:  
 (1) may not cause harmful interference.  
 (2) must accept any interference received, including interference that may cause undesired operation.

SUITABLE FOR DRY, DAMP LOCATIONS

VEROBOARD CANADA, USA  
 info@veroboard.com | www.veroboard.com

Made in China