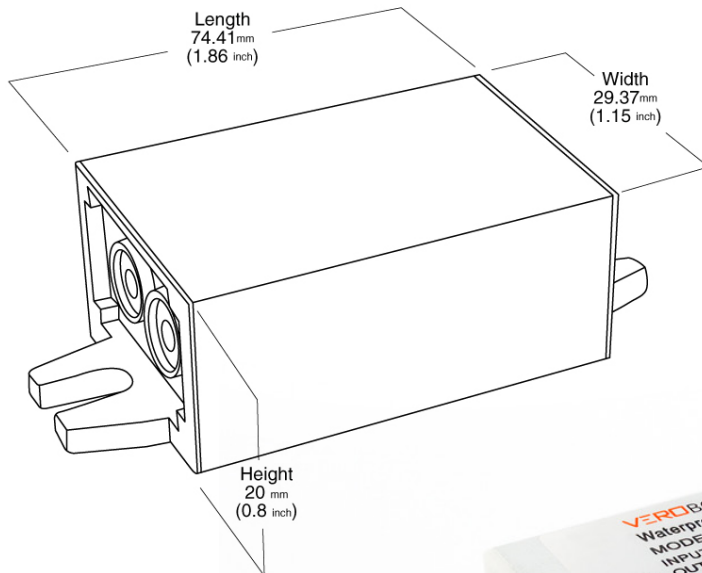


Veroboard 12V 1A 12W Non-Dimmable LED Driver VBD-012-012ND

VEROBOARD®

SKU: 666561415778
 Model: VBD-012-012ND
 Input Voltage: 100 – 265 V AC
 Output Voltage: 12V DC
 Wattage: 12 W
 Output Current: 1 A
 IP Rating: IP67 (Waterproof driver)
 Dimmable: No



VEROBOARD®
 Waterproof Class 2 LED Driver
 MODEL:VBD-012-012ND
 INPUT: AC100~265V 47/63Hz

INPUT	OUTPUT:DC 1A	OUTPUT
L White	DC 12V	Red +
N White	DC 12W	Black -

VEROBOARD CANADA, USA | info@veroboard.com | www.veroboard.com