

Model: VBD-024-096VWSW

Input Voltage:	100 – 277V AC
Input Current at Max Load:	1.3 A
Frequency:	50/60 Hz
Output Voltage:	24V DC
Output Current:	4 A
Max Power:	96 W
Dimensions L x W x H:	316 mm x 32 mm x 23 mm
Class Certification:	Class 2/Class P/Type HL
Weight:	0.486 kg
IP Rating:	IP67 (Dry, Damp, and Wet Locations)
Dimmable:	No
Wiring/Housing:	Hardwire
Operating Temperature:	at least 90°C
Standards:	CE/FC/UL/RoHS

ORDER INFORMATION

Please fill out the below interactive form and press the **SUBMIT** button to send it electronically.

Name: _____

Project Name: _____

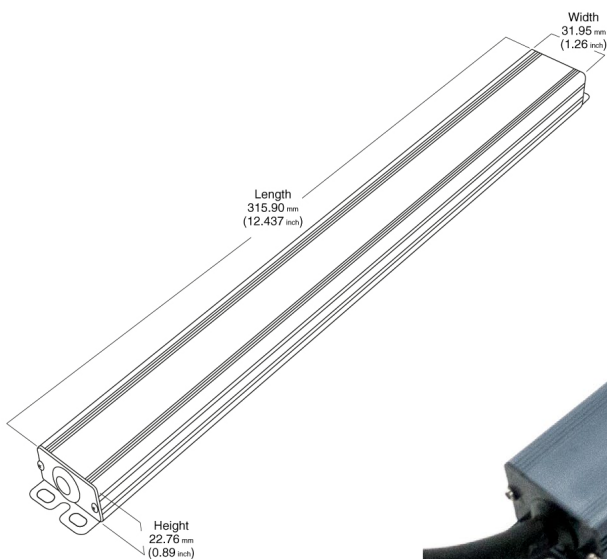
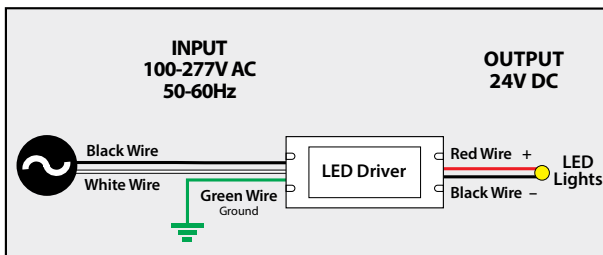
Email: _____

Phone: _____

Quantity: _____

Notes: _____

Installation Diagram



24V DC
96W

CLASS 2

SKU: 666561419745