

Model: VBD-012-012ND

Input Voltage:	100-265V AC
Frequency:	47-63 Hz
Output Voltage:	12V DC
Output Current:	1 A
Max Power:	12 W
Dimensions L x W x H:	75 mm x 30 mm x 20 mm
Class Certification:	Class 2
Weight:	0.04 kg
IP Rating:	IP67 (Dry, Damp, and Wet Locations)
Dimmable:	No
Wiring/Housing:	Hardwire
Operating Temperature:	at least 90°C
Standards:	CE/ETL/RoHS

ORDER INFORMATION

Please fill out the below interactive form and press the **SUBMIT** button to send it electronically.

Name: _____

Project Name: _____

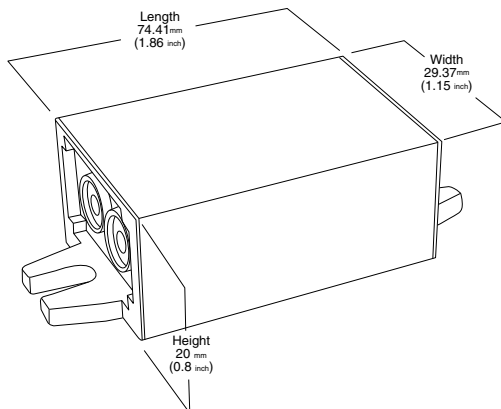
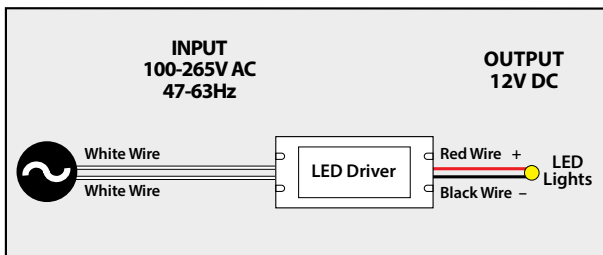
Email: _____

Phone: _____

Quantity: _____

Notes: _____

Installation Diagram



12V DC
12W
CLASS 2

SKU: 666561415778